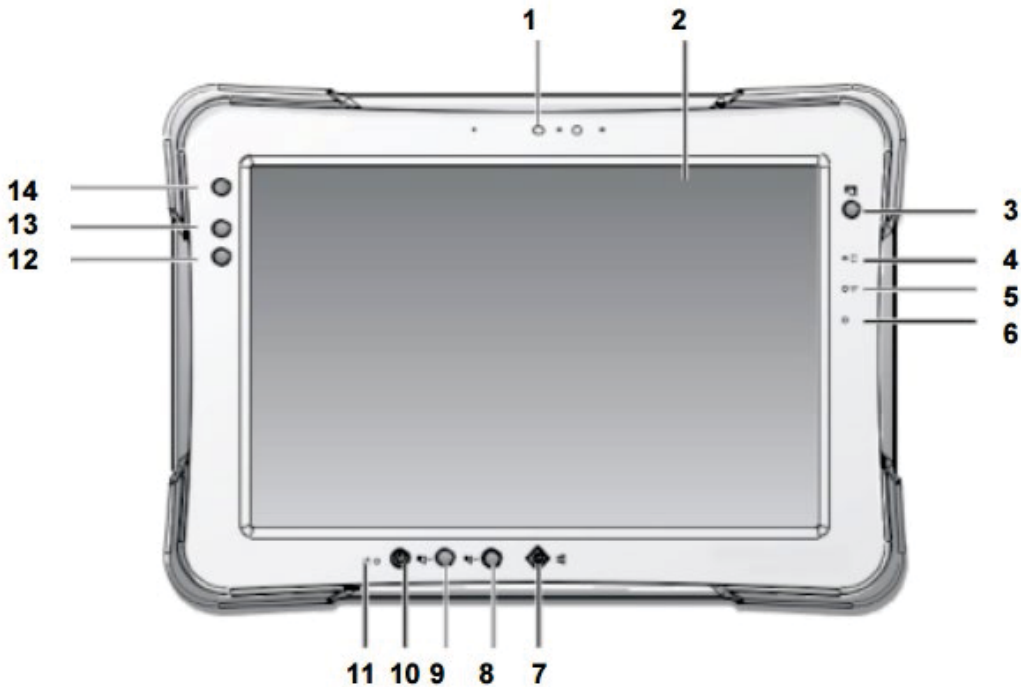


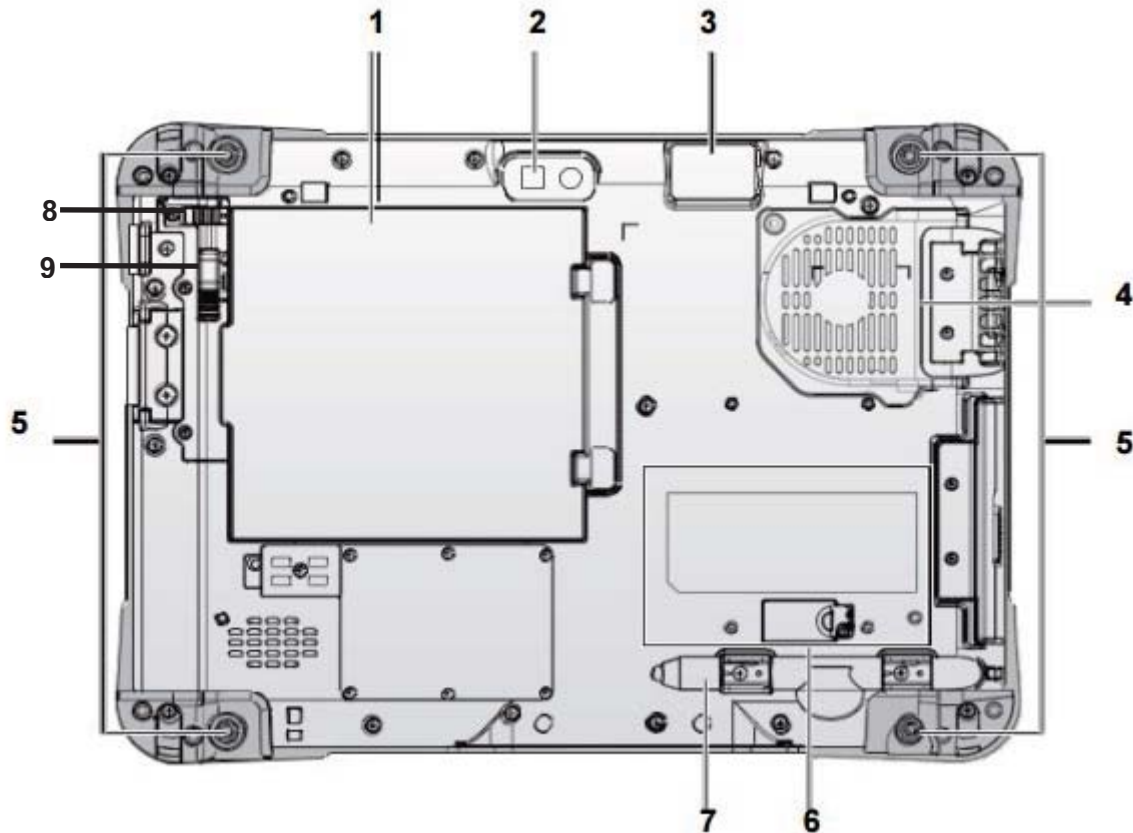
## 5.2 RSU 1000 Controls and Indicators



### 5.2.1 RSU 1000, 10" Front Panel



Item No.	Control/Indicator	Function
1	Front Camera	2.0 Mega-Pixels camera.
2	Touch Screen	Displays information and provides an input method.
3	Barcode trigger	If barcode scanner is installed, press to scan.
4	Battery LED	Displays battery status: Green – Power On Amber – Charging Amber Blinking – Power below 10% Off – Not charging / No battery.
5	Wi-Fi LED	Lights blue to indicate Wi-Fi enabled
6	FN LED	Lights blue when the FN function switch is on.
7	Home key	Windows 10 Home key.
8	Volume +	Increases volume.
9	Volume -	Decreases volume.
10	Power key	Turns the RSU 1000 on or off.
11	Power LED	Lights green when power is on.
12	F2 key	Programmable function key.
13	F1 key	Programmable function key.
14	FN key	Programmable function key.

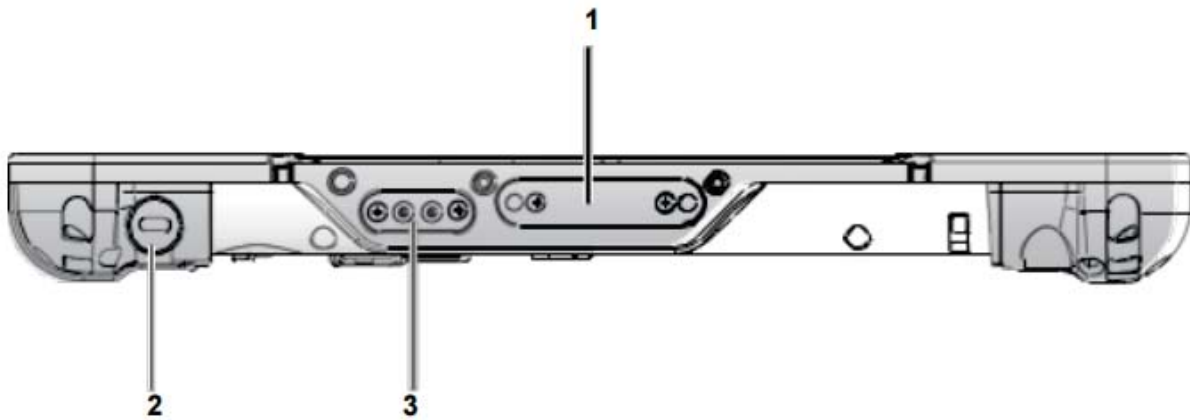
## 5.2.2 RSU 1000, 10" Rear Panel



Item No.	Control/Indicator/Connector	Function
1	Battery Cover	Provides access to internal battery.
2	Rear Camera	5.0 Mega-Pixels camera with LED auxiliary light.
3	Barcode reader cover	Covers optional barcode reader.
4	Fan	Embedded cooling fan.
5	Securing holes	Secures the bumpers and the D-rings for the handstrap and shoulder strap.
6	Expansion Bay	Covers the expansion accessory connector.
7	Digitizer Pen Holder	Holder for digitizer pen (stylus).
8	Locking Switch	Locks battery door. Unit will not operate unless this horizontal switch is placed in the lock position adjacent to the padlock symbol  .
9	Release Switch	Spring-activated switch that releases the battery when used. Unit will not operate unless this vertical switch is placed in the position adjacent to the padlock symbol  .

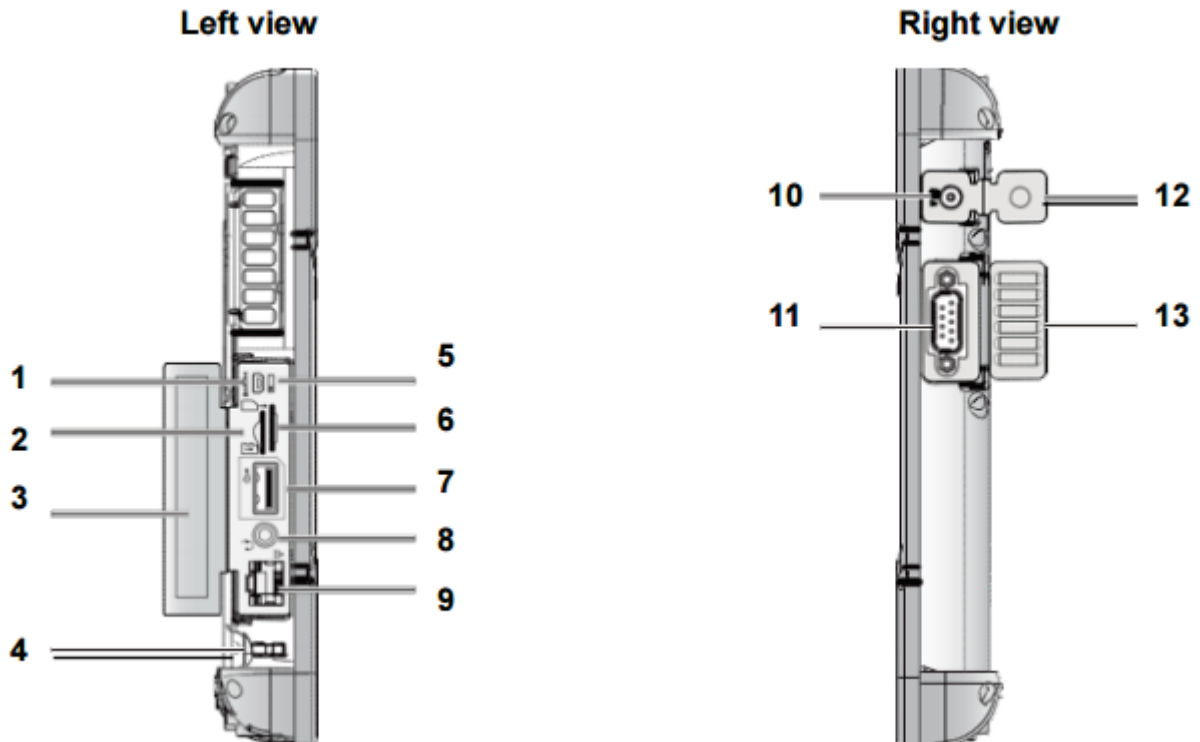


## 5.2.4 RSU 1000, 10" Bottom Panel



Item No.	Connector	Function
1	Docking Connector	12-pin connector that connects to the docking station.
2	Kensington lock	Locks the RSU 1000 to a stationary object for security.
3	Pass-through	Dual pass-through for WLAN, GNSS, and WAN.

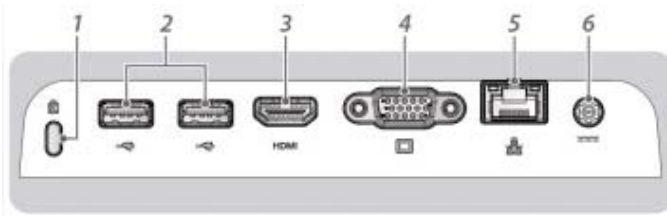
## 5.2.5 RSU 1000, 10” Left and Right Side Panels



Item No.	Connector	Function
1	Micro HDMI Connector	Connects a HDMI device.
2	USB 3.0 Port	Connects a USB device.
3	Left I/O compartment cover.	Provides access to the left side I/O ports.
4	Tether hole	Digitizer can be tethered to it.
5	Battery Switch	Switch to ON to provide power from back-up battery.
6	Micro SIM Card slot	Insert micro SIM card for 3G or 4G LTE communication function.
7	USB 3.0	Connects USB devices to the RSU 1000.
8	Audio jack	Connects a 3.5 mm jack for a headphone or external speakers
9	Ethernet	Connects the RSU 1000 to an Ethernet (RJ-45) cable.
10	DC-IN jack	Power connector to charge battery.
11	RS-232	Connects the RSU 1000 to a serial device.
12	DC-IN cover	Provides access to DC-IN jack.
13	Right I/O compartment cover	Provides access to right I/O port.



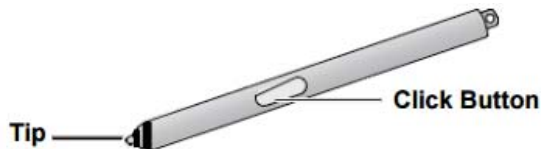
### 5.2.6 RSU 1000, Docking Station (Optional) - Rear Panel



Item No.	Connector	Function
1	Kensington Lock	Locks the docking station to a stationary object for security.
2	USB 2.0 Port (qty 2)	Connects a USB device.
3	HDMI port	Connects an HDMI device.
4	VGA port	Connects a VGA device.
5	RJ-45 port	Connects an Ethernet network
6	DC-IN jack	Connects external power.

### 5.3 RSU Stylus

The stylus may substitute for a mouse as follows:



Single Click: Tap screen once  
 Double Click: Tap screen twice  
 Right Click: Press and hold

### 5.4 RSU LCD Screen

The RSU 800/1000 offers an easy to read with touch screen. The touch screen can be used with the stylus provided.

**CAUTION:** Apply only very slight pressure to the screen. Excessive pressure may damage the screen.

### 5.5 RSU Screen Illumination

#### RSU 800, 8"

Press the *P2* hotkey, or open the OSD program on your RSU to open the OSD Control Panel. You will find the screen brightness slider on the right. Adjust as appropriate.

#### RSU 1000, 10"

Use the RSU 1000 DashON program, adjust the brightness or enable the auto brightness function.

### 5.6 Connectors



## **RSU 800, 8”**

### **Rear**

- 1x Expansion Connector
- 1x SIM Card Cover
- 1x Battery Pack

### **Top**

- 1x RJ-45 Jack (Ethernet LAN at 10/100/1000 Mbps speeds)

### **Bottom**

- 1x DC In
- 1x Docking port
- 1x Optional RF antenna pass-through for GPS

### **Right Hand Side**

- 1x Micro HDMI
- 1x USB 3.0
- 1x 3.5” Jack, Headphone out/Mic-in Combo

## **RSU 1000, 10”**

### **Left**

- 1x RJ-45 Jack (Ethernet LAN at 10/100/1000 Mbps speeds)
- 1x USB 3.0
- 1x 3.5” Jack, Headphone out/Mic-in Combo
- 1x SIM Card Slot
- 1x Micro SD Card Slot
- 1x Micro HDMI

### **Right**

- 1x DC-IN
- 1x VGA
- 1x USB 2.0
- 1x RS232 port



## 5.7 Batteries

The RSU 800 uses a 4200 mA hour (Li-ion), the RSU 1000 uses a 4500 mA hour (Li-Polymer) rechargeable battery.

It will take from 3- 5 hours to charge the battery when the RSU is running or 3 hours if the RSU is in the suspend mode.

The unit will operate for 5 hours with a fully charged battery.

These times are for moderate temperatures. Extreme high or lower temperatures will increase the time needed to charge and reduce the operational time.

The batteries should be charged daily. Leave the RSU charging in the dock at all times when not in use.

In addition to the main battery a small Lithium-Ion coin battery is used to maintain the Real Time Clock.

The batteries may be changed by disengaging the latches holding on the battery located on the rear of the unit. The unit must be turned off and disconnected from AC power before removing or inserting batteries.

## 5.8 Turn On

In order to turn the RSU 800 on, press and release the power button located in the upper right corner (for RSU 800) or bottom of the front panel (for RSU 1000) of the tablet. The Power On/Off LED (for RSU 800 at the top right corner of the screen, for RSU 1000 at the bottom of the Front Panel) will turn on immediately. Double click (Tap twice with Stylus) on the Avionica Icon when it appears on the desktop. This will bring up the RSU menu.

## 5.9 Turn Off

To shutdown the RSU software tap on "File" then on "Exit".

To turn off the RSU tablet through the RSU software, tap on "File", and then tap "Shut Down"

The File button is located at the top left hand corner.

If granted Administrator access, you may also turn off the computer by tapping the "Start" button (Lower Left Corner), and the "Shut down" button which appears. You also have the option of placing the computer in Standby mode or Restarting the computer if the arrow next to "Shut down" is clicked instead.